

shindaiwa[®]

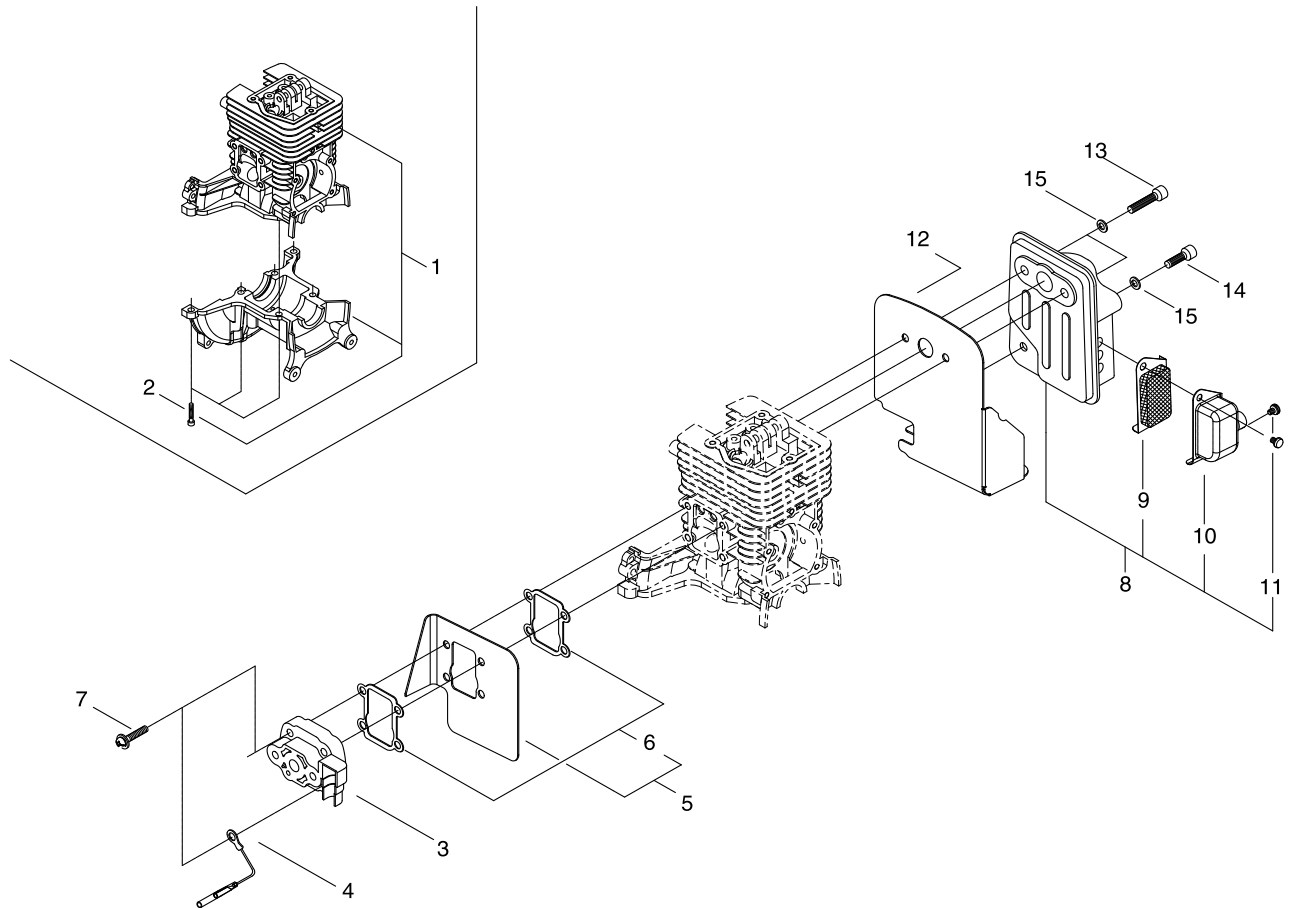
PARTS CATALOGUE

BLOWER EB2510(37)

37030001 - 37030100

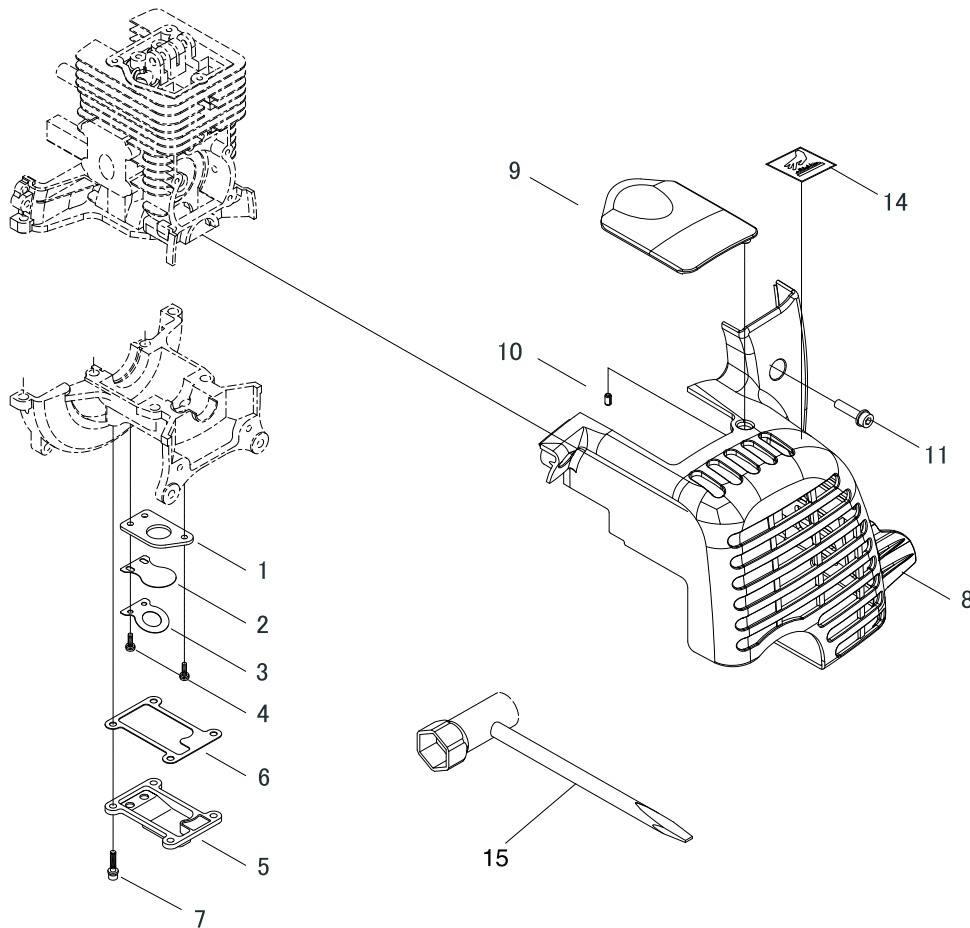
P016-000560-11Hb

1. CYLINDER, MUFFLER



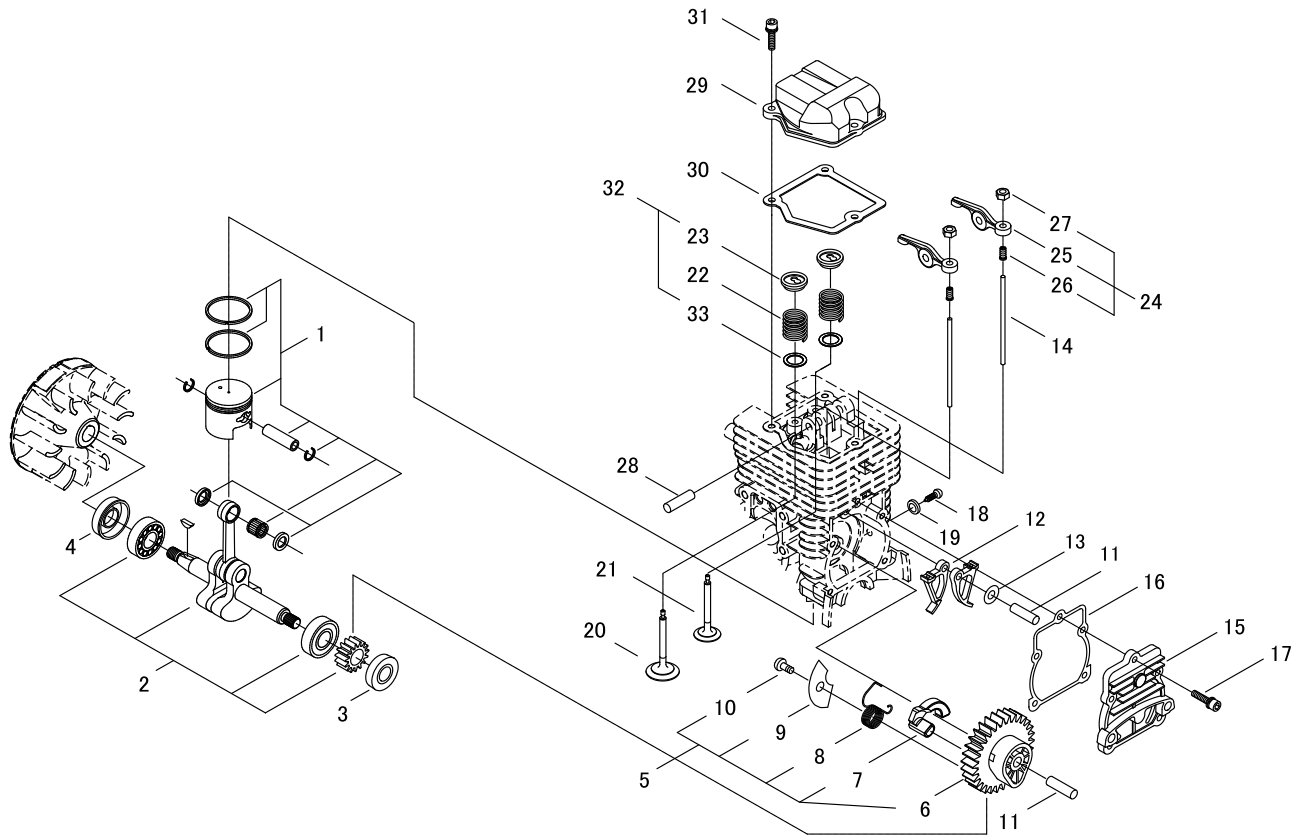
KEY	LV	PART NUMBER	Q'TY	DESCRIPTION	REMARKS	NOTE1	NOTE2
1		P021-027390	1	CYLINDER BLOCK SET			
2	+	900105-05016	6	BOLT, H.S. 5*16	5*16		
3		A024-000050	1	REED VALVE			
4		V485-001260	1	LEAD WIRE	L110		
5		A209-000190	1	BAFFLE PLATE COMP			
6	+	V103-001130	2	GASKET			
7		91582-05022	4	SCREW,PM-SPW	M5*22		
8		A030-000041	1	MUFFLER ASY			
9	+	A310-000390	1	SCREEN, ARRESTOR			
10	+	A313-001141	1	GUIDE, EXHAUST			
11	+	91572-04006	2	SCREW,PM-SW			
12		V104-001001	1	GASKET,EXHAUST			
13		V203-001000	2	BOLT			
14		900105-05016	1	BOLT, H.S. 5*16	5*16		
15		900600-00005	3	WASHER 5	5		

2. CYLINDER COVER



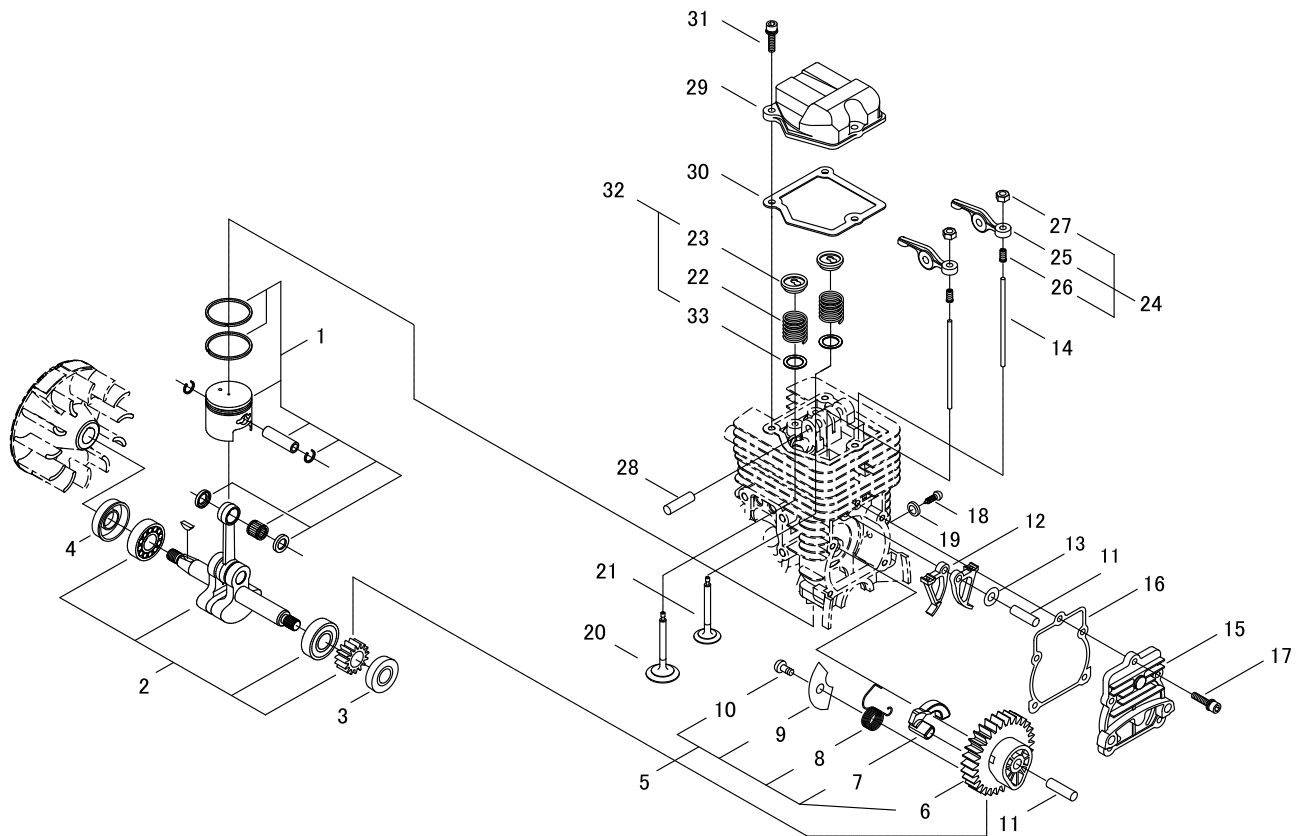
KEY	LV	PART NUMBER	Q'TY	DESCRIPTION	REMARKS	NOTE1	NOTE2
1		A200-000750	1	INSULATOR			
2		A211-000030	1	VALVE, REED			
3		A212-000040	1	STOPPER			
4		91341-03010	3	SCREW-SW	M3*10		
5		A123-000000	1	COVER			
6		V109-000100	1	GASKET			
7		V202-000340	4	BOLT-SPW	M4*12		
8		A190-001021	1	COVER, ENGINE			
9		A429-000080	1	GROMMET			
10		900342-40008	1	PIN, SPRING 4*8	4*8		
11		V203-000450	3	BOLT PC			
14		X505-002310	1	LABEL, CAUTION	HOT CAUTION		
15		X602-000100	1	PLUG WRENCH			

3. CRANKSHAFT, PISTON



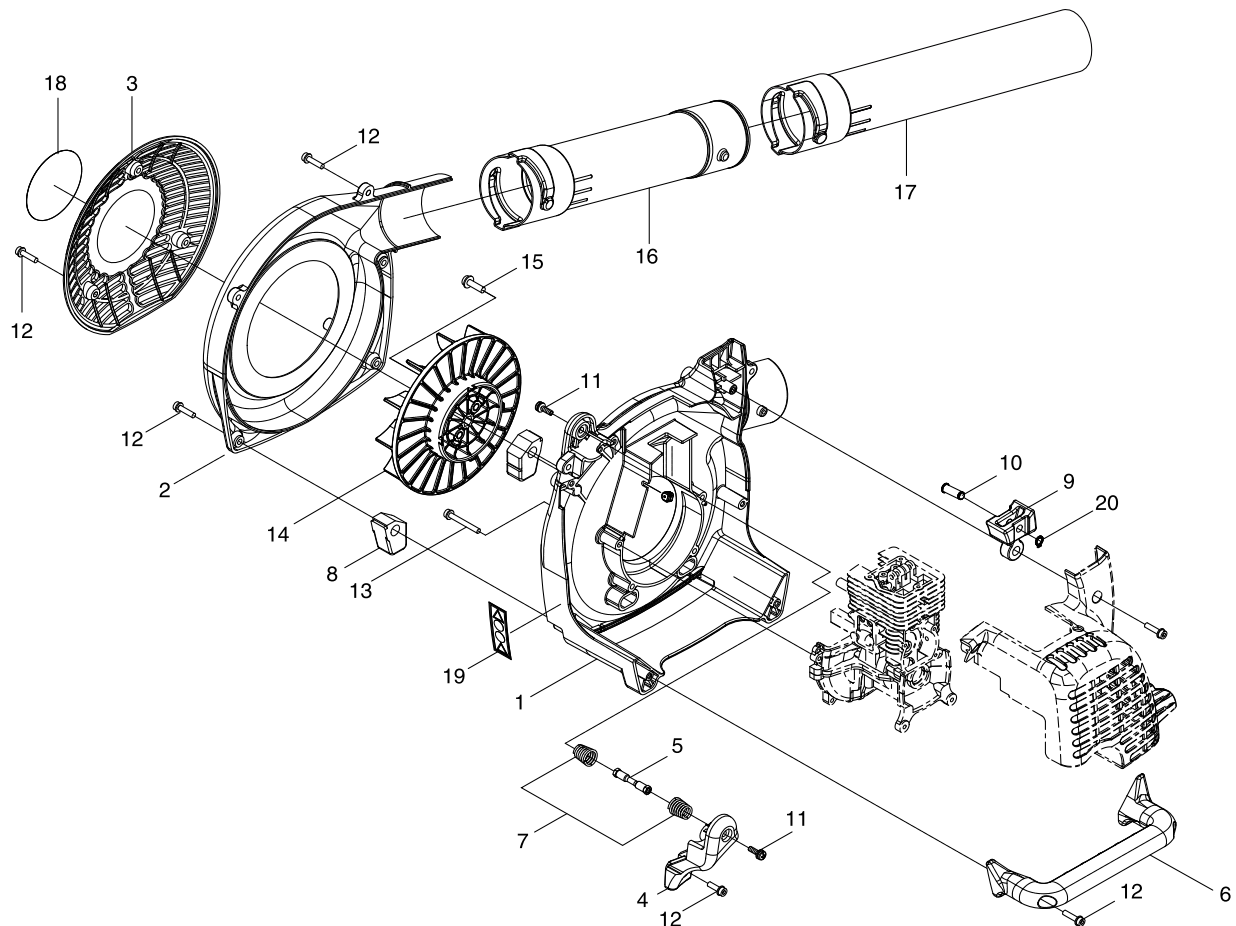
KEY	LV	PART NUMBER	Q'TY	DESCRIPTION	REMARKS	NOTE1	NOTE2
1		P021-033930	1	PISTON KIT			
2		A011-000630	1	CRANKSHAFT COMP			
3		V505-000020	1	SEAL,OIL 12	12*22*7		
4		V505-000120	1	OIL SEAL			
5		A063-000000	1	CAM GEAR ASSY			
6	+	A622-000000	1	CAM GEAR			
7	+	A146-000000	1	WEIGHT			
8	+	V452-000610	1	COIL SPRING			
9	+	C603-000240	1	PLATE			
10	+	91449-04006	1	SCREW,TAPPING			
11		V623-000030	2	ROLLER	5*L29.8		
12		A600-000001	2	LIFTER			
13		V303-000220	1	WASHER	T0.3		
14		A607-000010	2	PUSH ROD			
15		A136-000010	1	CAM GEAR COVER			
16		V109-000110	1	GASKET			
17		V202-000350	5	BOLT-SPW	M4-14		
18		V253-000540	1	SCREW			
19		V303-000120	1	COLLAR	5.5,10 T=2		
20		A603-000040	1	INTAKE VALVE			
21		A603-000050	1	EXHAUST VALVE			
24		A610-000050	2	ROCKER ARM ASSY			
25	+	A610-000060	2	ROCKER ARM			
26	+	A613-000010	2	ADJUST SCREW			
27	+	V263-000230	2	NUT			
28		V623-000040	1	ROLLER	NTN F5*31.8		

3. CRANKSHAFT, PISTON



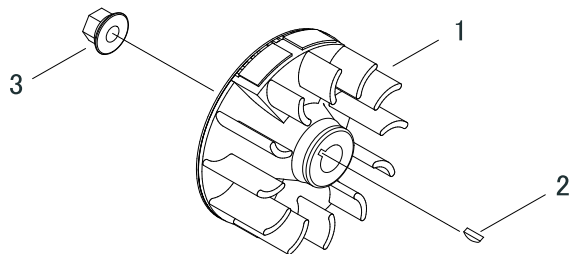
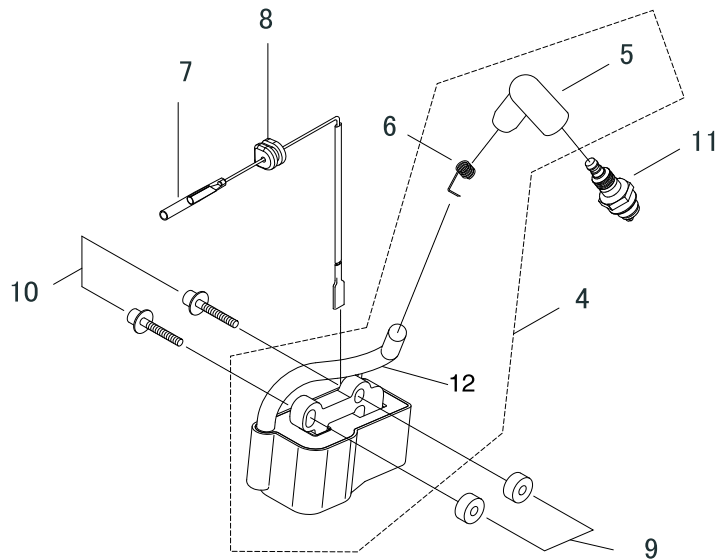
KEY	LV	PART NUMBER	Q'TY	DESCRIPTION	REMARKS	NOTE1	NOTE2
29		A137-000020	1	ROCKER ARM COVER			
30		V109-000120	1	GASKET			
31		V202-000350	3	BOLT-SPW	M4-14		
32		P021-027590	1	RETAINER SET			
22	+	A604-000010	2	VALVE SPRING			
23	+	A606-000040	2	RETAINER			
33	+	V392-000030	2	PLATE			

4. FAN CASE



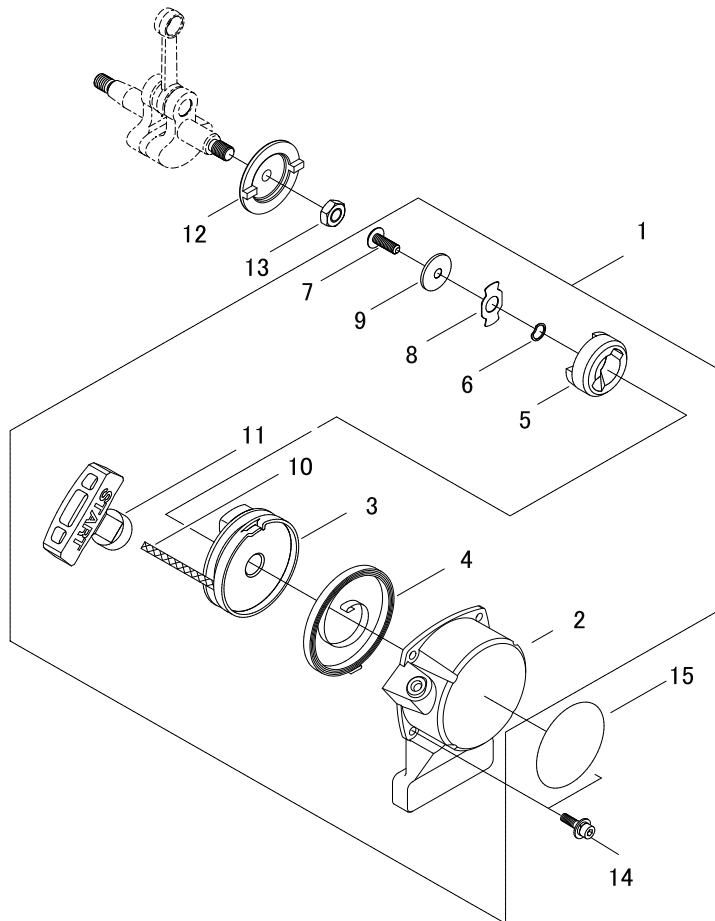
KEY	LV	PART NUMBER	Q'TY	DESCRIPTION	REMARKS	NOTE1	NOTE2
1		E103-000960	1	CASE,FAN			
2		E103-001040	1	CASE,FAN			
3		E104-000150	1	INTAKECOVER			
4		C411-000150	1	LID,HANDLE			
5		V263-000100	1	NUT			
6		C410-000620	1	HANDLE			
7		V450-000820	2	COIL SPRING			
8		V420-002140	2	CUSHION			
9		V420-002150	1	CUSHION			
10		C226-000050	1	PIN			
11		V253-000250	2	SCREW ADHEISIVE			
12		V203-000450	12	BOLT PC			
13		V203-000530	4	BOLT SW			
14		E100-000120	1	FAN			
15		V204-000270	2	BOLT SPW			
16		E165-000420	1	PIPE			
17		E165-000430	1	NOZZLE			
18		X543-003510	1	LABEL,MODEL	SHINDAIWA, EB2510		
19		X505-002730	1	LABEL CAUTION			
20		92423-08000	1	SNAP RING			

5. MAGNETO



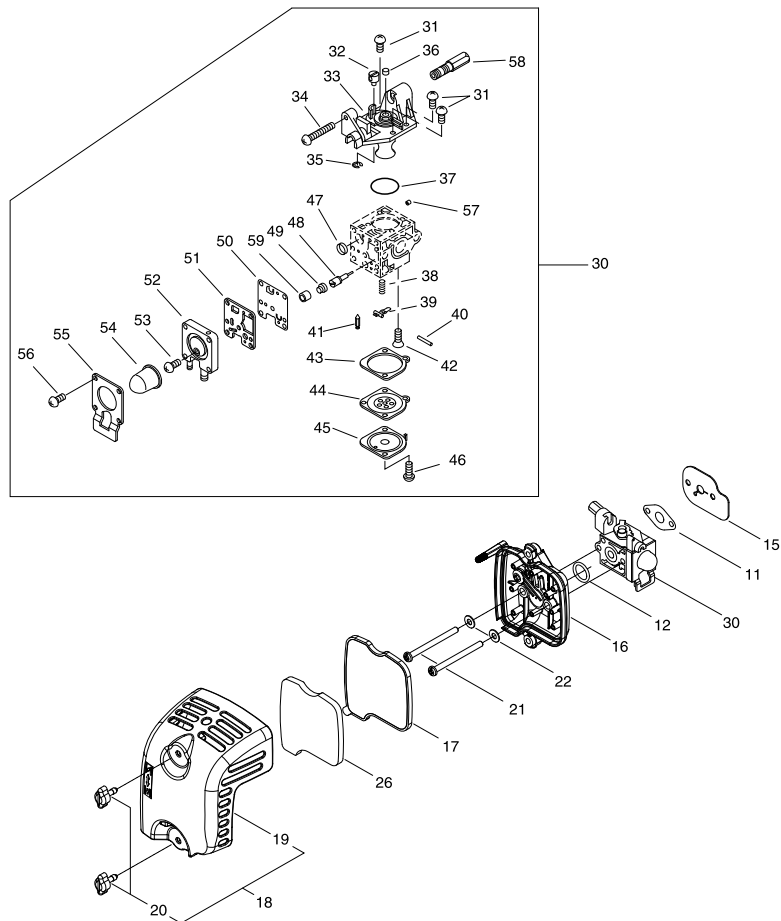
KEY	LV	PART NUMBER	Q'TY	DESCRIPTION	REMARKS	NOTE1	NOTE2
1		A409-000410	1	ROTOR			
2		93115-03010	1	KEY	3*10		
3		V265-000140	1	NUT			
4		A411-001170	1	COIL, IGNITION			
5	+	A427-000110	1	PLUG CAP			
6	+	A426-000070	1	COIL SPRING			
12	+	V475-005160	1	TUBE			
7		V485-001910	1	LEAD WIRE			
8		V136-000060	1	GROMMET			
9		V322-000040	2	INSULATOR			
10		V202-000360	2	BOLT-SLPW	M4*26		
11		A425-000040	1	SPARKPLUG	NGK CMR5H		

6. RECOIL STARTER



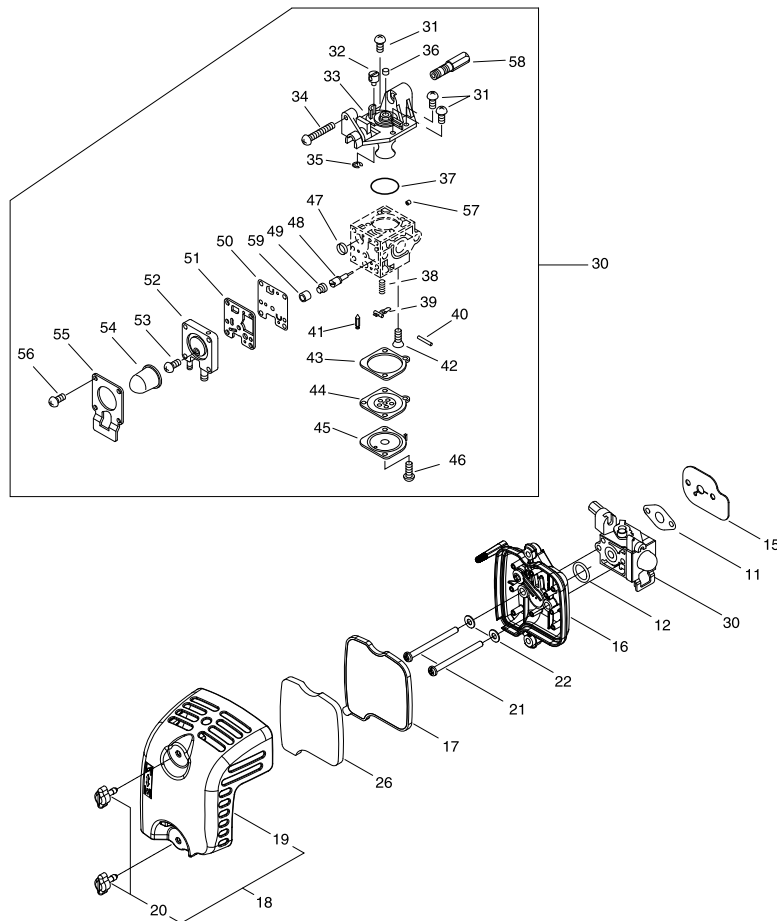
KEY	LV	PART NUMBER	Q'TY	DESCRIPTION	REMARKS	NOTE1	NOTE2
1		A051-001481	1	STARTER,RECOIL ASY			
2	+	A500-000610	1	STARTER CASE			
3	+	A506-000130	1	REEL			
4	+	A504-000050	1	RECOIL SPRING			
5	+	A518-000020	1	DOG			
6	+	V346-000030	1	WAVE WASHER			
7	+	V253-000260	1	SCREW			
8	+	A606-000000	1	RETAINER			
9	+	V303-000110	1	WASHER			
10	+	A509-000060	1	ROPE			
11	+	A511-000090	1	KNOB			
12		A520-000080	1	STARTER PULLEY			
13		900503-00008	1	NUT	3N8*P1.0		
14		V202-000180	4	BOLT SPW			
15		X504-006750	1	LABEL, BRAND			

7. CARBURETOR



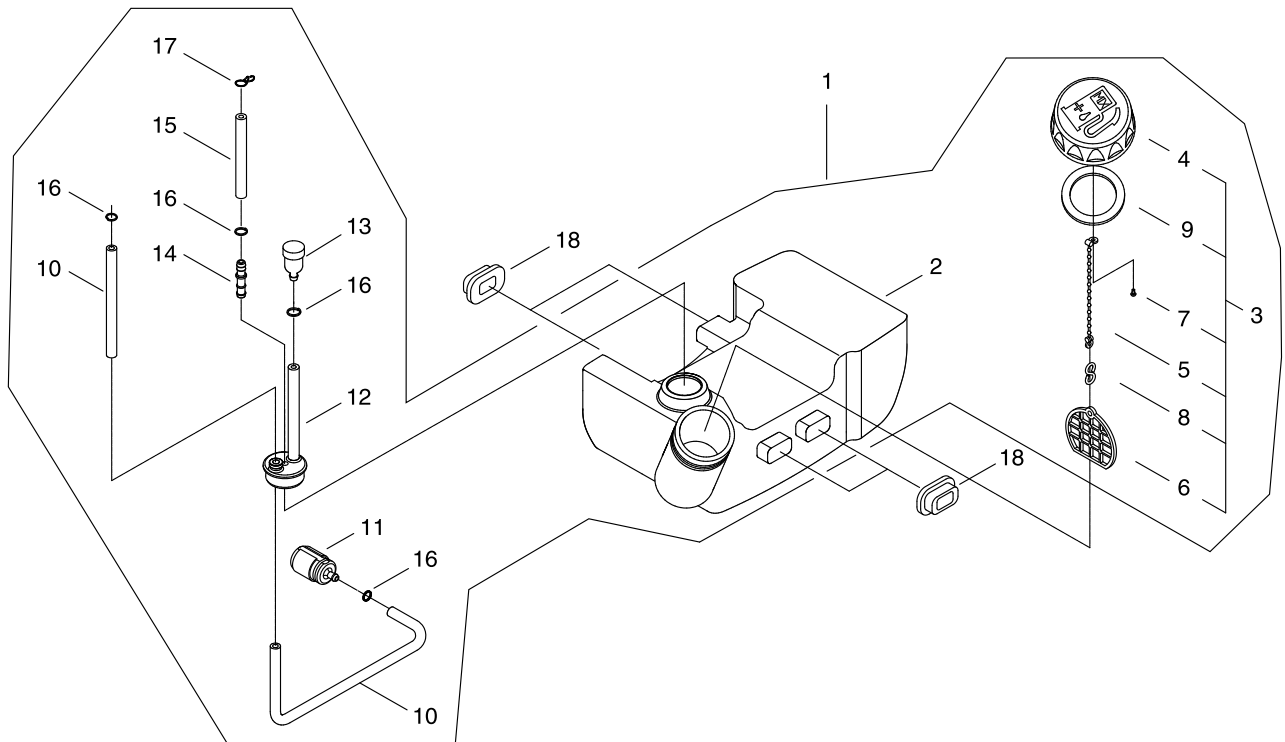
KEY	LV	PART NUMBER	Q'TY	DESCRIPTION	REMARKS	NOTE1	NOTE2
11		V103-001291	1	GASKET,INTAKE			
12		900720-00015	1	O-RING 15	P-15		
15		V103-001280	1	GASKET,INTAKE			
16		A023-000271	1	CASE,CLEANER			
17		A226-000690	1	FILTER			
18		P021-028561	1	CLEANER COVER ASSY			
19	+	A232-000911	1	LID,CLEANER			
20	+	V299-000400	2	KNOB			
21		91581-05060	2	SCREW,PM			
22		900603-00005	2	WASHER 5	5.5*12*0.8		
26		A226-000700	1	PREFILTER			
30		A021-003250	1	CARBURETOR,DIAPHRAGM			
31	+	125344-13931	3	SCREW			
32	+	P005-001240	1	POST			
33	+	P005-002100	1	COVER ASY, ROTOR			
34	+	P005-002110	1	SCREW,THROTTLEADJUST			
35	+	P005-000190	1	E-RING			
36	+	P005-001270	1	PLUG, H AJUST SCREW			
37	+	P005-000280	1	O-RING			
38	+	P005-000940	1	SPRING, METER. LEVER			
39	+	125323-08260	1	ARM, VALVE			
40	+	125338-13930	1	PIN, METERING ARM			
41	+	125337-08260	1	VALVE, INLET NEEDLE			
42	+	125339-42030	1	SCREW			
43	+	P005-000200	1	GASKET, METERING			
44	+	P005-001780	1	DIAPHRAGM			

7. CARBURETOR



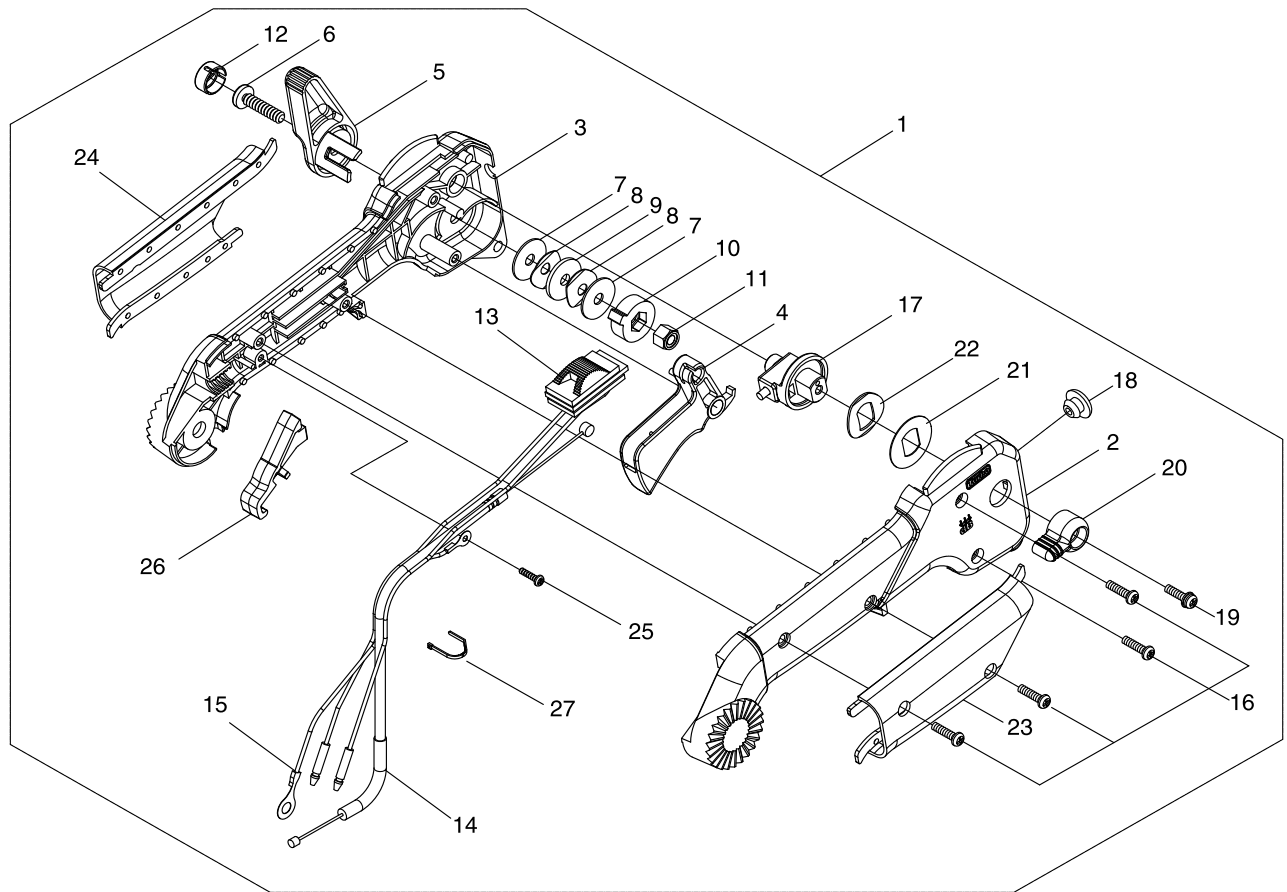
KEY	LV	PART NUMBER	Q'TY	DESCRIPTION	REMARKS	NOTE1	NOTE2
45	+	125342-52130	1	COVER, DIAPHRAGM			
46	+	125344-52130	3	SCREW			
47	+	P005-000010	1	STRAINER			
48	+	P005-001260	1	SCREW,MAINN MIXTURE			
49	+	P005-001250	1	RETAINER,PLUG BALL			
50	+	P005-000510	1	DIAPHRAGM, PUMP			
51	+	P005-000520	1	GASKET, PUMP			
52	+	P005-001890	1	BASE, ASY PRIMER			
53	+	P005-000270	1	SCREW			
54	+	125381-46730	1	PUMP, PRIMING			
55	+	P005-000250	1	RETAINER			
56	+	P005-001900	4	SCREW			
57	+	P005-001000	1	ROLLER, GUIDE			
58	+	P005-002120	1	SCREW, WIRW ADJUST			
59	+	P005-001270	1	PLUG, H AJUST SCREW			

8. FUEL TANK



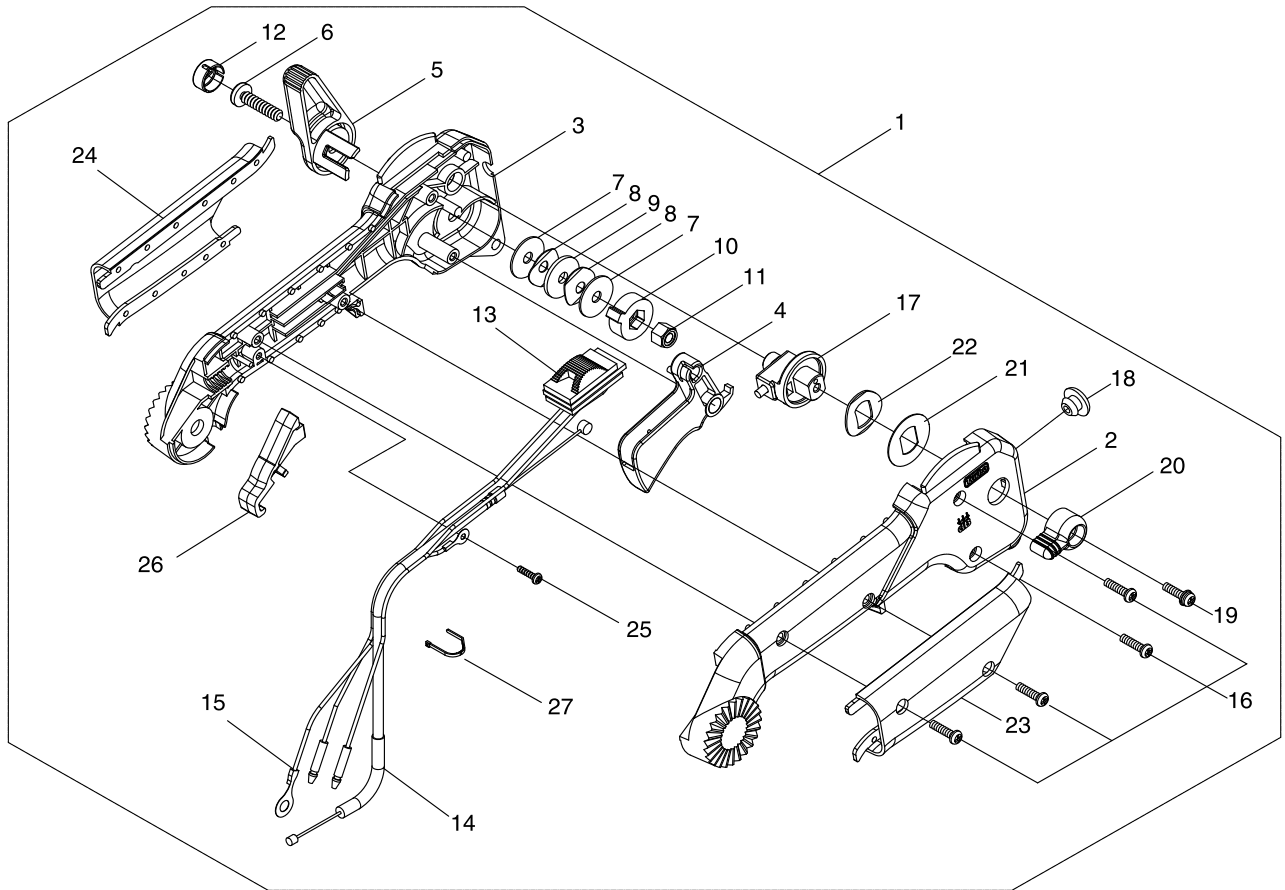
KEY	LV	PART NUMBER	Q'TY	DESCRIPTION	REMARKS	NOTE1	NOTE2
1		P021-029591	1	FUEL TANK ASSY			
2	+	A350-001010	1	FUEL TANK			
3	+	A033-000330	1	CAP,FUEL			
4	++	A355-000180	1	FUEL CAP			
5	++	V047-000000	1	CHAIN CAP			
6	++	A365-000070	1	HOOK			
7	++	91483-02506	1	SCREW TAPPING			
8	++	V490-000600	1	CLIP			
9	++	V107-000010	1	GASKET			
10	+	V471-002350	1	PIPE			
11	+	A369-000000	1	STRAINER, FUEL	125-528		
12	+	V470-000880	1	GROMMET			
13	+	A356-000050	1	VALVE,CHECK			
14	+	V186-000270	1	JOINT,PIPE			
15	+	V471-002360	1	PIPE			
16	+	V490-000500	4	CLIP			
17	+	V490-000510	1	CLIP			
18		V420-002220	4	TANK CUSHION			

9. HANDLE



KEY	LV	PART NUMBER	Q'TY	DESCRIPTION	REMARKS	NOTE1	NOTE2
1		C044-001171	1	CONTROL, THROTTLE			
2	+	C400-000571	1	HANDLE, FRONT			
3	+	C400-000581	1	HANDLE, FRONT			
4	+	C450-000450	1	THROTTLE LEVER			
5	+	C453-000320	1	LOCK LEVER			
6	+	V204-000260	1	ADJUST BOLT			
7	+	V304-000110	2	WASHER			
8	+	V453-000110	2	ADJ SPRING			
9	+	V304-000120	1	WASHER			
10	+	C472-000070	1	PLATE			
11	+	V264-000080	1	NYLON NUT			
12	+	V162-000330	1	RUBBER CAP			
13	+	A440-001330	1	SWITCH			
14	+	V430-003330	1	CABLE,BOWDEN			
15	+	V485-001270	1	LEAD WIRE			
16	+	V252-000070	4	SCREW			
17	+	C457-000010	1	ADJUSTER ASSY			
18	+	V162-000340	1	PLUG			
19	+	V252-000080	1	SCREW			
20	+	C453-000330	1	SUB LEVER			
21	+	V345-000010	1	WASHER			
22	+	V453-000120	1	ADJ SPRING			
23	+	C412-000240	1	GRIP			
24	+	C412-000250	1	GRIP			
25	+	V251-000030	1	SCREW			
26	+	C411-000100	1	COVER			

9. HANDLE



KEY	LV	PART NUMBER	Q'TY	DESCRIPTION	REMARKS	NOTE1	NOTE2
27	+	V495-001210	1	BAND			

Index

Patrs Number	Key No.	Patrs Number	Key No.	Patrs Number	Key No.
125323-08260	7 - 39	A369-000000	8 - 11	P005-000200	7 - 43
125337-08260	7 - 41	A409-000410	5 - 1	P005-000250	7 - 55
125338-13930	7 - 40	A411-001170	5 - 4	P005-000270	7 - 53
125339-42030	7 - 42	A425-000040	5 - 11	P005-000280	7 - 37
125342-52130	7 - 45	A426-000070	5 - 6	P005-000510	7 - 50
125344-13931	7 - 31	A427-000110	5 - 5	P005-000520	7 - 51
125344-52130	7 - 46	A429-000080	2 - 9	P005-000940	7 - 38
125381-46730	7 - 54	A440-001330	9 - 13	P005-001000	7 - 57
900105-05016	1 - 2	A500-000610	6 - 2	P005-001240	7 - 32
900105-05016	1 - 14	A504-000050	6 - 4	P005-001250	7 - 49
900342-40008	2 - 10	A506-000130	6 - 3	P005-001260	7 - 48
900503-00008	6 - 13	A509-000060	6 - 10	P005-001270	7 - 36
900600-00005	1 - 15	A511-000090	6 - 11	P005-001270	7 - 59
900603-00005	7 - 22	A518-000020	6 - 5	P005-001780	7 - 44
900720-00015	7 - 12	A520-000080	6 - 12	P005-001890	7 - 52
91341-03010	2 - 4	A600-000001	3 - 12	P005-001900	7 - 56
91449-04006	3 - 10	A603-000040	3 - 20	P005-002100	7 - 33
91483-02506	8 - 7	A603-000050	3 - 21	P005-002110	7 - 34
91572-04006	1 - 11	A604-000010	3 - 22	P005-002120	7 - 58
91581-05060	7 - 21	A606-000000	6 - 8	P021-027390	1 - 1
91582-05022	1 - 7	A606-000040	3 - 23	P021-027590	3 - 32
92423-08000	4 - 20	A607-000010	3 - 14	P021-028561	7 - 18
93115-03010	5 - 2	A610-000050	3 - 24	P021-029591	8 - 1
A011-000630	3 - 2	A610-000060	3 - 25	P021-033930	3 - 1
A021-003250	7 - 30	A613-000010	3 - 26	V047-000000	8 - 5
A023-000271	7 - 16	A622-000000	3 - 6	V103-001130	1 - 6
A024-000050	1 - 3	C044-001171	9 - 1	V103-001280	7 - 15
A030-000041	1 - 8	C226-000050	4 - 10	V103-001291	7 - 11
A033-000330	8 - 3	C400-000571	9 - 2	V104-001001	1 - 12
A051-001481	6 - 1	C400-000581	9 - 3	V107-000010	8 - 9
A063-000000	3 - 5	C410-000620	4 - 6	V109-000100	2 - 6
A123-000000	2 - 5	C411-000100	9 - 26	V109-000110	3 - 16
A136-000010	3 - 15	C411-000150	4 - 4	V109-000120	3 - 30
A137-000020	3 - 29	C412-000240	9 - 23	V136-000060	5 - 8
A146-000000	3 - 7	C412-000250	9 - 24	V162-000330	9 - 12
A190-001021	2 - 8	C450-000450	9 - 4	V162-000340	9 - 18
A200-000750	2 - 1	C453-000320	9 - 5	V186-000270	8 - 14
A209-000190	1 - 5	C453-000330	9 - 20	V202-000180	6 - 14
A211-000030	2 - 2	C457-000010	9 - 17	V202-000340	2 - 7
A212-000040	2 - 3	C472-000070	9 - 10	V202-000350	3 - 17
A226-000690	7 - 17	C603-000240	3 - 9	V202-000350	3 - 31
A226-000700	7 - 26	E100-000120	4 - 14	V202-000360	5 - 10
A232-000911	7 - 19	E103-000960	4 - 1	V203-000450	2 - 11
A310-000390	1 - 9	E103-001040	4 - 2	V203-000450	4 - 12
A313-001141	1 - 10	E104-000150	4 - 3	V203-000530	4 - 13
A350-001010	8 - 2	E165-000420	4 - 16	V203-001000	1 - 13
A355-000180	8 - 4	E165-000430	4 - 17	V204-000260	9 - 6
A356-000050	8 - 13	P005-000010	7 - 47	V204-000270	4 - 15
A365-000070	8 - 6	P005-000190	7 - 35	V251-000030	9 - 25

Index

Patrs Number	Key No.	Patrs Number	Key No.	Patrs Number	Key No.
V252-000070	9 - 16				
V252-000080	9 - 19				
V253-000250	4 - 11				
V253-000260	6 - 7				
V253-000540	3 - 18				
V263-000100	4 - 5				
V263-000230	3 - 27				
V264-000080	9 - 11				
V265-000140	5 - 3				
V299-000400	7 - 20				
V303-000110	6 - 9				
V303-000120	3 - 19				
V303-000220	3 - 13				
V304-000110	9 - 7				
V304-000120	9 - 9				
V322-000040	5 - 9				
V345-000010	9 - 21				
V346-000030	6 - 6				
V392-000030	3 - 33				
V420-002140	4 - 8				
V420-002150	4 - 9				
V420-002220	8 - 18				
V430-003330	9 - 14				
V450-000820	4 - 7				
V452-000610	3 - 8				
V453-000110	9 - 8				
V453-000120	9 - 22				
V470-000880	8 - 12				
V471-002350	8 - 10				
V471-002360	8 - 15				
V475-005160	5 - 12				
V485-001260	1 - 4				
V485-001270	9 - 15				
V485-001910	5 - 7				
V490-000500	8 - 16				
V490-000510	8 - 17				
V490-000600	8 - 8				
V495-001210	9 - 27				
V505-000020	3 - 3				
V505-000120	3 - 4				
V623-000030	3 - 11				
V623-000040	3 - 28				
X504-006750	6 - 15				
X505-002310	2 - 14				
X505-002730	4 - 19				
X543-003510	4 - 18				
X602-000100	2 - 15				

YAMABIKO CORPORATION

7-2 SUEHIROCHO 1-CHOME, OHME, TOKYO 198-8760, JAPAN
PHONE: 81-428-32-6118. FAX: 81-428-32-6145.

shindaiwa[®]

11Hb
No. 03-392