

DCS-2500T

Serial Number

35000001-35999999

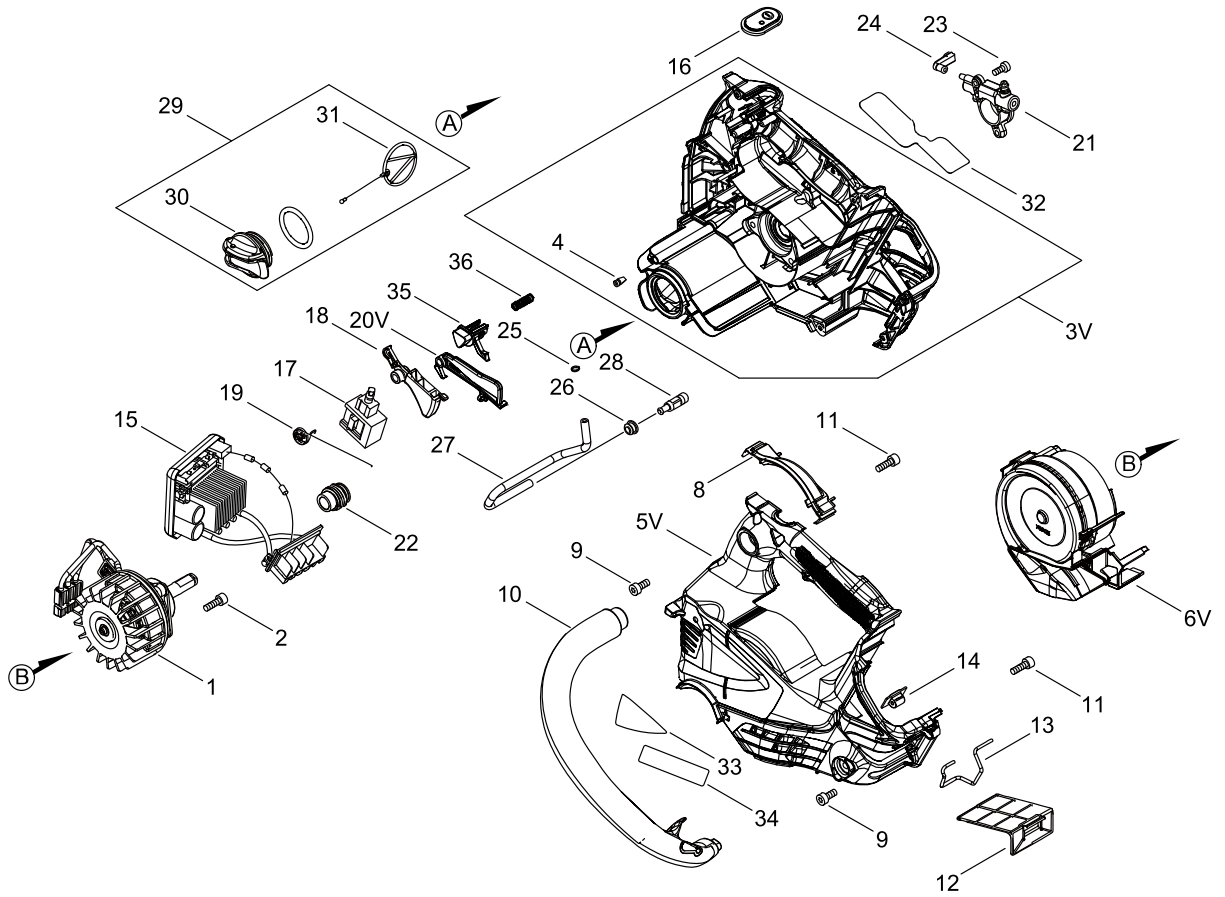
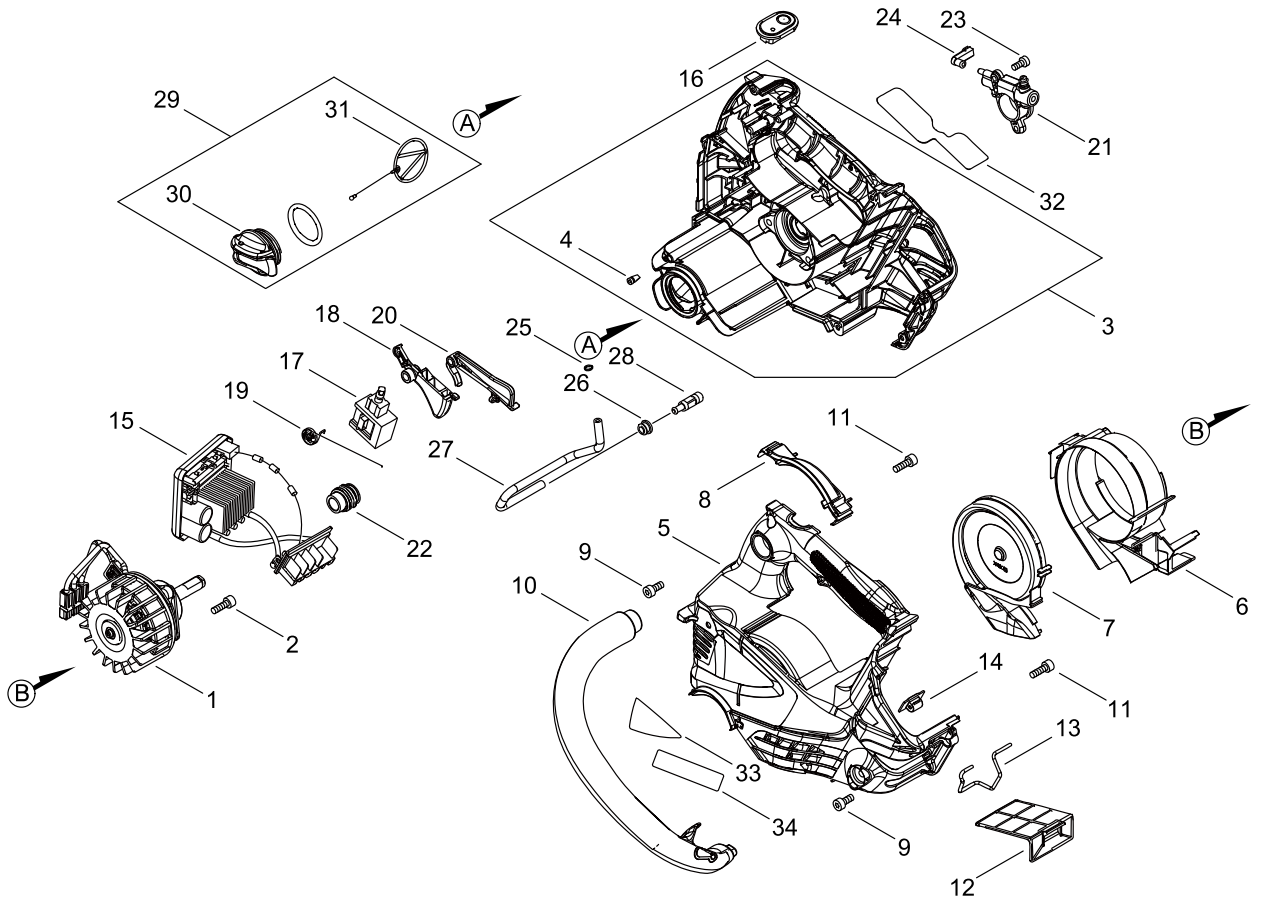
Last updated date

23/Sep/2024

TABLE OF CONTENTS

MOTOR	1
CHAIN BRAKE	5
ACCESSORIES	9
OILER.....	11
GUIDE BAR, CHAIN	13
OPTION PARTS.....	15

MOTOR



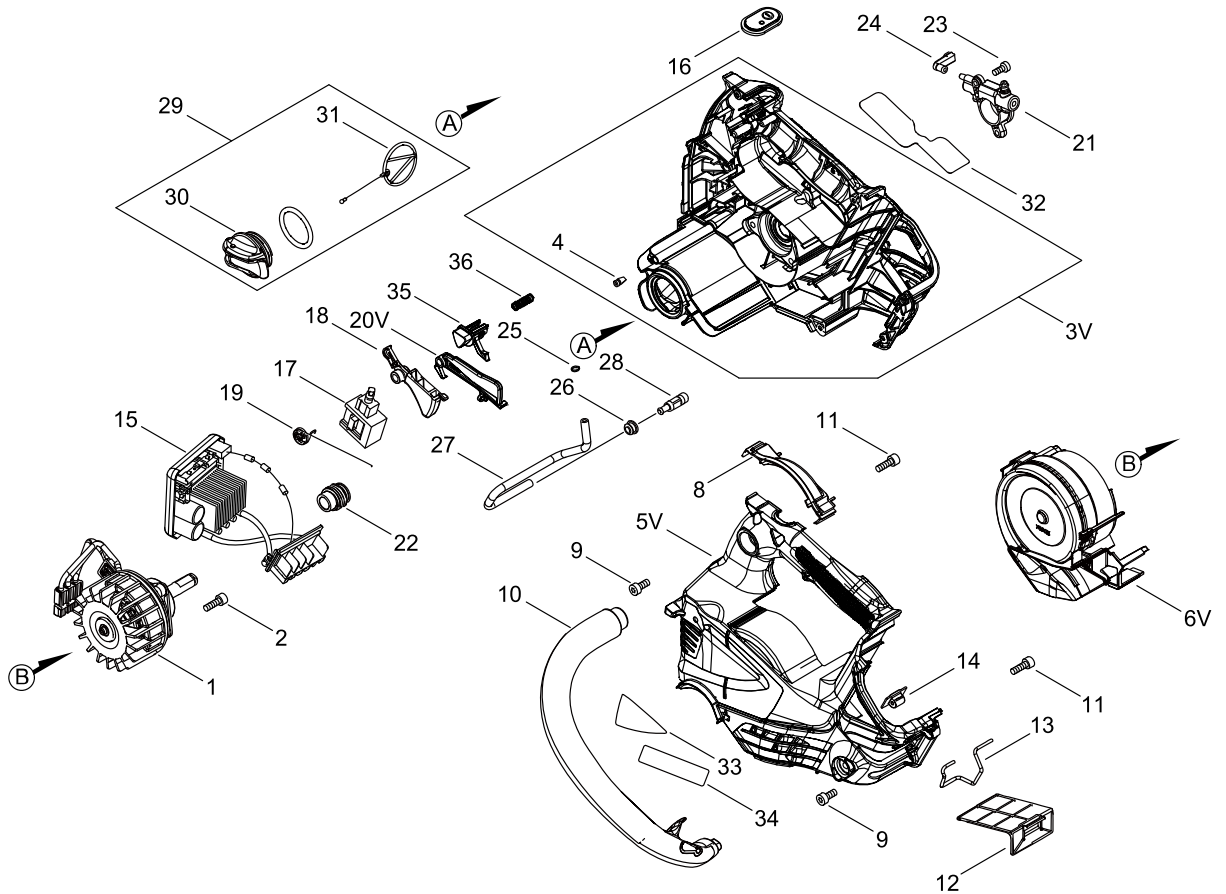
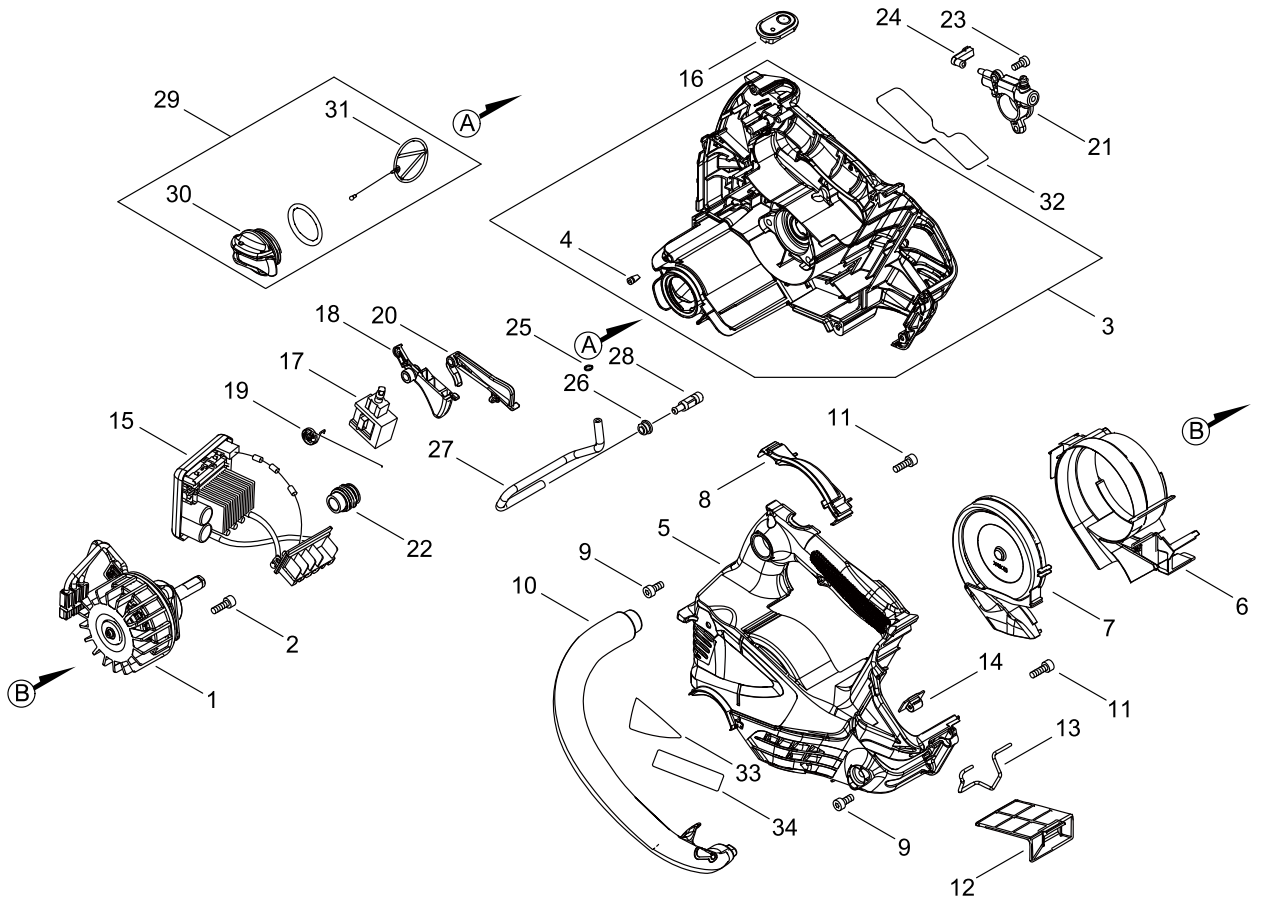
MOTOR

Key No.	LV (+)	Parts Number	Parts Description	Qty	Standard	Comment	CL
1		A054-000300	MOTOR,ASM	1			D
2		V805-000250	BOLT, TORX 5	3	TB-5*16 12.9		C
3		P100-009522	COVER,MOTOR ASY	1		-C81535019733	C
3V		P100-009523	COVER,MOTOR ASY	1		C81535019734-	C
4	+	436114-13930	VALVE, CHECK	1			B
5		A539-000481	COVER,MOTOR	1	F-SIDE	-C81535019733	C
5V		A539-000482	COVER,MOTOR	1		C81535019734-	C
6		E103-001660	CASE,FAN	1	LARGE	-C81535019733	C
6V		P100-013370	CASE,FAN ASY	1		C81535019734-	C
7		E103-001670	CASE,FAN	1		-C81535019733	C
8		A539-000460	COVER,MOTOR	1	SMALL		C
9		V804-000160	BOLT, TORX 4	6	TT-P 4*12		C
10		C400-001740	HANDLE, FRONT	1	GAI		C
11		V805-000000	BOLT, TORX 5	2	TT-5*16 DG 10.9		C
12		A226-002360	ELEMENT, AIR FILTER	1	PA6-MESH #30		A
13		C646-000160	RING, HARNESS	1	2.3		C
14		C626-000100	FIXTURE, HARNESS	1			D
15		A047-000421	BOARD,ASM CONTROL	1		-C81535019733	D
15		A047-000660	BOARD,ASM CONTROL	1	62841PRG	C81535019734-	D
16		A047-000430	SWITCH	1		-C81535019733	D
16		A047-000670	SWITCH	1		C81535019734-	D
17		G334-001830	SWITCH	1	G33407S0080		C
18		J361-000790	LEVER	1			
19		V452-001650	SPRING,TORSION	1			B
20		C490-000010	LOCKOUT	1		-C81535019733	C
20V		C490-000050	LOCKOUT	1	GRIP SENSOR	C81535019734-	C
21		C022-000211	AUTO-OILER ASSEMBLY	1	OP-27C(B)		C
22		V652-000290	GEAR,WORM	1			B
23		V804-000160	BOLT, TORX 4	1	TT-P 4*12		C
24		V470-002400	PIPE	1			C
25		V490-001230	CLIP	1			C
26		132115-01462	GROMMET	1			C
27		V471-003311	PIPE	1	3*6*200		C
28		P021-050140	STRAINER, OIL ASY	1			C
29		P100-004610	CAP,OIL ASY	1			C
30	+	900720-20029	O-RING	1	P-29		
31	+	A365-000050	CONNECTOR,CAP	1			B
32		X505-011050	LABEL,CAUTION	1	SYMBOL		D
33		X543-005720	LABEL,MODEL	1	DCS-2500T		D
34		X502-000390	LABEL,ECHO	1	ECHO 72.5*15		D
35		C490-000061	LOCKOUT	1		C81535019734-	C

CL : Consumable class

A:Fast moving parts B:Semi-fast moving parts C:Slow moving parts D:Order only as needed

MOTOR



MOTOR

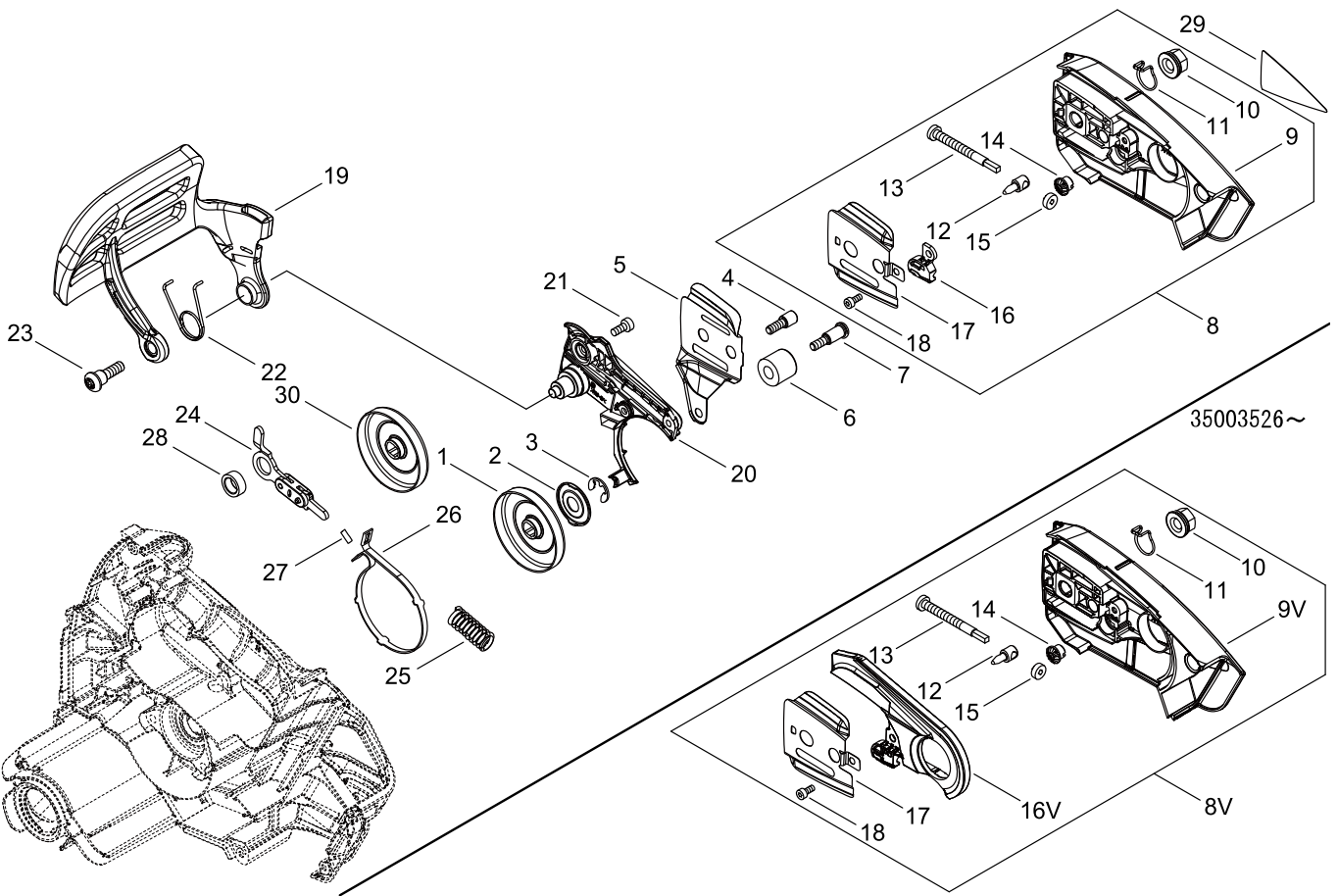
Key No.	LV (+)	Parts Number	Parts Description	Qty	Standard	Comment	CL
36		V450-002250	SPRING, COMPRESSION	1		C81535019734-	B

CL : Consumable class

A:Fast moving parts B:Semi-fast moving parts C:Slow moving parts D:Order only as needed

CHAIN BRAKE

~35003525



CHAIN BRAKE

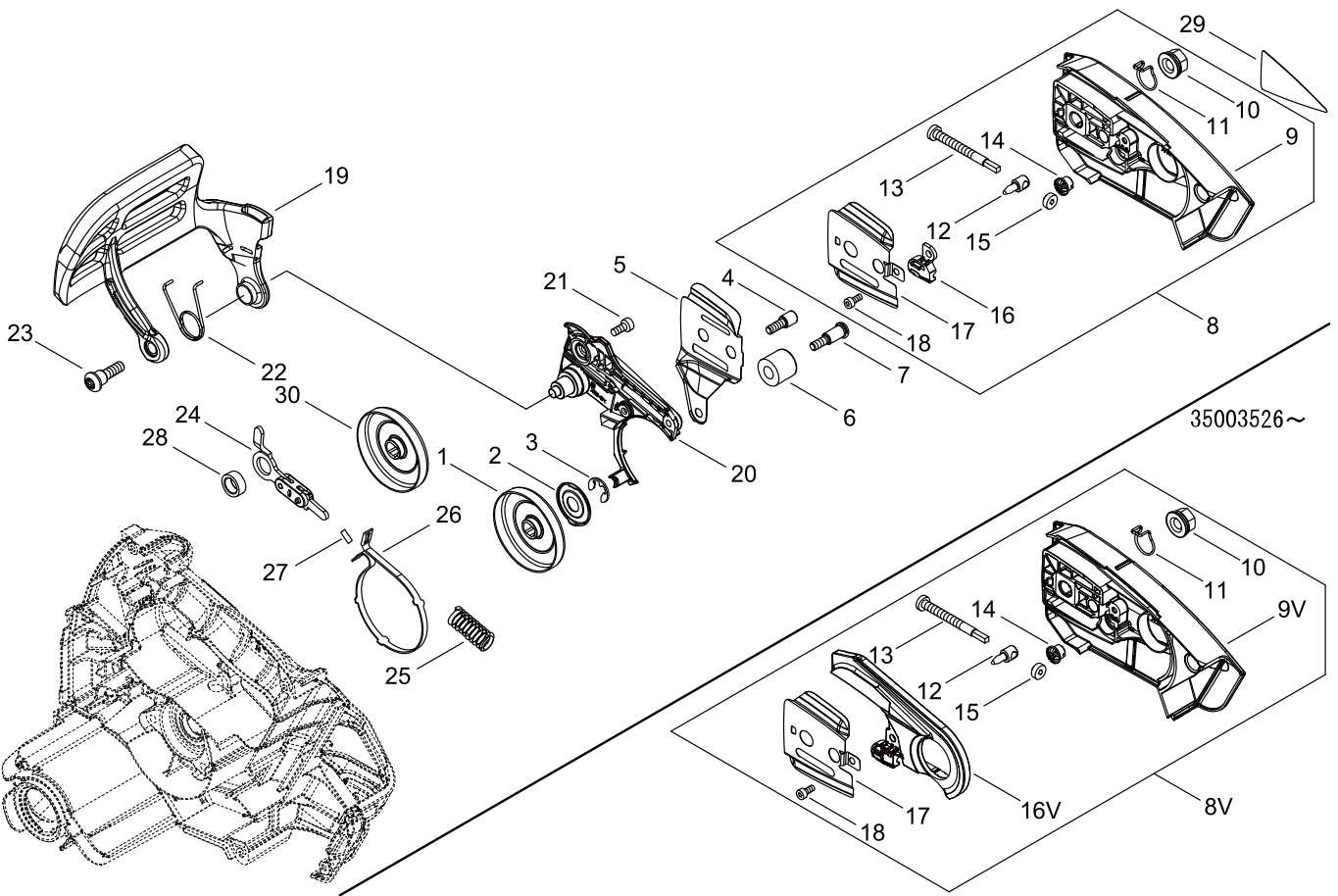
Key No.	LV (+)	Parts Number	Parts Description	Qty	Standard	Comment	CL
1		A556-001920	DRUM, CLUTCH	1	3/8		B
2		V307-000620	WASHER,CIRCULAR 10	1	10*28.5*3.5 (0.8)		C
3		V583-000440	RING	1	8.1 T1.2		C
4		V203-002280	BOLT,5	1			C
5		C305-000511	PLATE,SPROCKET GUARD	1	T0.3		C
6		C310-000140	CATCHER, CHAIN	1			B
7		V203-002260	BOLT,5	1			C
8		P100-009530	GUARD, SPROCKET ASY	1		-35003525	C
9	+	C300-001220	GUARD, SPROCKET	1		-35003525	C
10	+	V265-000550	NUT,8	1			C
11	+	C649-000420	HOOK	1			D
12	+	C309-000110	TENSIONER,CHAIN	1			C
13	+	V203-000041	BOLT,5	1			C
14	+	V651-001060	GEAR,BEVEL	1			D
15	+	V651-000011	GEAR,BEVEL	1			D
16	+	V355-000840	COLLAR,8	1		-35003525	C
17	+	C305-000521	PLATE,SPROCKET GUARD	1	T0.3		C
18	+	V804-000160	BOLT, TORX 4	1	TT-P 4*12		C
19		C320-000610	LEVER, BRAKE	1			C
20		C345-000730	COVER,BRAKE	1			C
21		V804-000160	BOLT, TORX 4	3	TT-P 4*12		C
22		V452-001940	SPRING,TORSION	1	1.6		B
23		V203-002270	BOLT,5	1			C
24		C334-000340	CONNECTOR, BRAKE	1			C
25		V450-002400	SPRING, COMPRESSION	1	Φ2.5		B
26		C328-000361	BAND, BRAKE	1			C
27		93050-30080	ROLLER	1	3*8		C
28		V355-000860	COLLAR,8	1			C
29		X502-001230	LABEL,ECHO	1			D
30		A556-001910	DRUM, CLUTCH	1	1/4		B
8V		P100-009531	GUARD, SPROCKET ASY	1		35003526-	C
9V	+	C300-001221	GUARD, SPROCKET	1		35003526-	C
10	+	V265-000550	NUT,8	1			C
11	+	C649-000420	HOOK	1			D
12	+	C309-000110	TENSIONER,CHAIN	1			C
13	+	V203-000041	BOLT,5	1			C
14	+	V651-001060	GEAR,BEVEL	1			D
15	+	V651-000011	GEAR,BEVEL	1			D
16V	+	C301-000020	PIECE,SPROCKET GUARD	1		35003526-	C

CL : Consumable class

A:Fast moving parts B:Semi-fast moving parts C:Slow moving parts D:Order only as needed

CHAIN BRAKE

~35003525



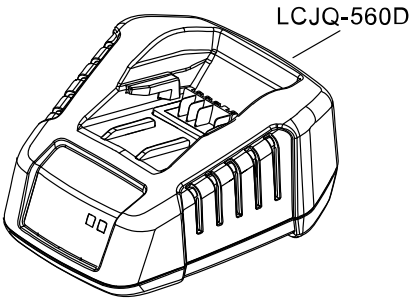
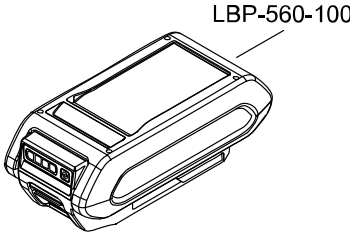
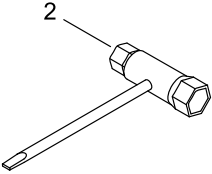
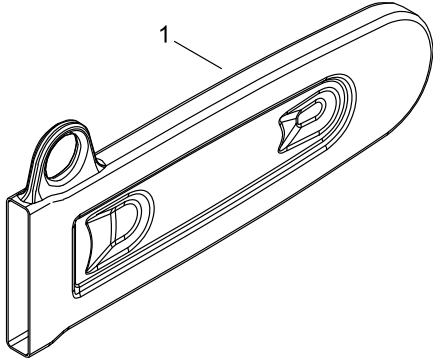
CHAIN BRAKE

Key No.	LV (+)	Parts Number	Parts Description	Qty	Standard	Comment	CL
17	+	C305-000521	PLATE,SPROCKET GUARD	1	T0.3		C
18	+	V804-000160	BOLT, TORX 4	1	TT-P 4*12		C

CL : Consumable class

A:Fast moving parts B:Semi-fast moving parts C:Slow moving parts D:Order only as needed

ACCESSORIES



* Batteries and charger are handle as accessories instead of spare parts.
Please place an order of batteries and charger at the same time as unit order.

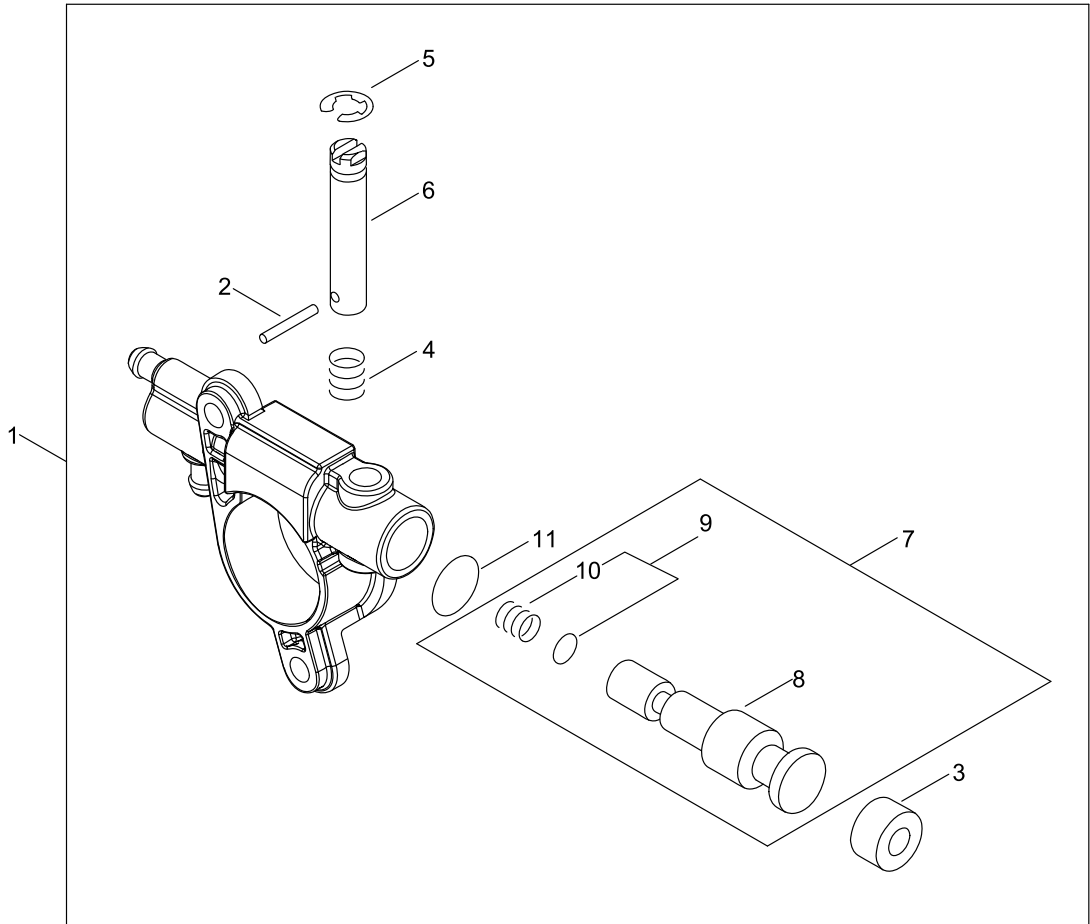
ACCESSORIES

Key No.	LV (+)	Parts Number	Parts Description	Qty	Standard	Comment	C L
1		X490-000990	SCABBARD,CHAIN	1			D
2		X602-000080	TOOL,WRENCH	1	13*19 L180		D

CL : Consumable class

A:Fast moving parts B:Semi-fast moving parts C:Slow moving parts D:Order only as needed

OILER





OILER

Key No.	LV (+)	Parts Number	Parts Description	Qty	Standard	Comment	CL
1		C022-000211	AUTO-OILER ASSEMBLY	1	OP-27C(B)		C
2	+	P003-002180	PIN, SPRING	1			D
3	+	437062-38330	CAP, OIL PUMP	1			D
4	+	437015-37330	SPRING	1			D
5	+	123127-15030	RING	1			D
6	+	P003-005430	NEEDLE-ADJ	1			D
7	+	P200-000390	PLUNGER SHAFT KIT	1			D
8	++	P003-005990	SHAFT ASY-PLUNGER	1			D
9	++	P200-000490	SPRING WASHER KIT	1			D
10	+++	P003-006000	SPRING	1			D
11	+	P003-005420	WASHER	1			D

CL : Consumable class

A:Fast moving parts B:Semi-fast moving parts C:Slow moving parts D:Order only as needed

GUIDE BAR, CHAIN

Pitch ピッチ	Gauge ゲージ	Length 長さ	Guide Bar ガイドバー		Saw Chain ソーチェーン		Hard Nose	Sprocket Nose	File Tool	Grip
			Key №	Type 形式	Key №	Type 形式	ハード ノーズ	スプロケット ノーズ		
3/8 9.53	0.050 1.27	25	A1	C25S91-40SL- ET	A2	91PX-40E			3	4
1/4 6.35	0.043 1.09	25	B1	C25HA4-60CL- ED	B2	A4S-60E	●			
1/4 6.35	0.043 1.09	20	C1	C20HA4-52CL- ED	C2	A4S-52E	●			

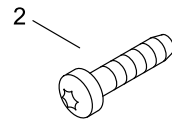
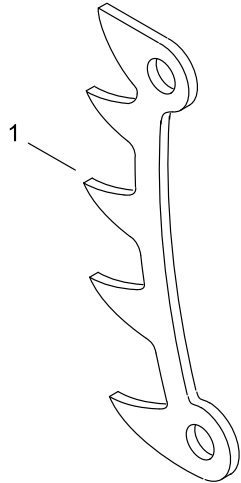
GUIDE BAR, CHAIN

Key No.	LV (+)	Parts Number	Parts Description	Qty	Standard	Comment	CL
A1		X121-000003	BAR,GUIDE 25	1	C25S91-40SL-ET		A
A2		X221-000100	CHAIN,SAW	1	91PX-40E		A
B1		X101-000210	BAR,GUIDE 25	1	C25HA4-60CL-ED		A
B2		X201-000020	CHAIN,SAW	1	A4S-60E ECHO		A
C1		X100-000070	BAR,GUIDE 20	1	C20HA4-52CL-ED		A
C2		X200-000020	CHAIN,SAW	1	A4S-52E ECHO		A
3		X620-000080	TOOL,FILE	1	3.5*246		D
4		X622-000000	GRIP	1	D3.5-4.0		D

CL : Consumable class

A:Fast moving parts B:Semi-fast moving parts C:Slow moving parts D:Order only as needed

OPTION PARTS



OPTION PARTS

Key No.	LV (+)	Parts Number	Parts Description	Qty	Standard	Comment	CL
1		C304-000000	SPIKE	1			C
2		V805-000240	BOLT, TORX 5	2	TT-5*12 DG 10.9		C

CL : Consumable class

A:Fast moving parts B:Semi-fast moving parts C:Slow moving parts D:Order only as needed

NUMERICAL PARTS INDEX

Part No	Part description	Page	Part No	Part description	Page	Part No	Part description	Page
123127-15030	RING	12	G334-001830	SWITCH	2	X201-000020	CHAIN,SAW	14
132115-01462	GROMMET	2	J361-000790	LEVER	2	X221-000100	CHAIN,SAW	14
436114-13930	VALVE, CHECK	2	P003-002180	PIN, SPRING	12	X490-000990	SCABBARD,CHAIN	10
437015-37330	SPRING	12	P003-005420	WASHER	12	X502-000390	LABEL,ECHO	2
437062-38330	CAP, OIL PUMP	12	P003-005430	NEEDLE-ADJ	12	X502-001230	LABEL,ECHO	6
900720-20029	O-RING	2	P003-005990	SHAFT ASY-PLUNGER	12	X505-011050	LABEL,CAUTION	2
93050-30080	ROLLER	6	P003-006000	SPRING	12	X543-005720	LABEL,MODEL	2
A047-000421	BOARD,ASM CONTROL	2	P021-050140	STRAINER, OIL ASY	2	X602-000080	TOOL,WRENCH	10
A047-000430	SWITCH	2	P100-004610	CAP,OIL ASY	2	X620-000080	TOOL,FILE	14
A047-000660	BOARD,ASM CONTROL	2	P100-009522	COVER,MOTOR ASY	2	X622-000000	GRIP	14
A047-000670	SWITCH	2	P100-009523	COVER,MOTOR ASY	2			
A054-000300	MOTOR,ASM	2	P100-009530	GUARD, SPROCKET ASY	6			
A226-002360	ELEMENT, AIR FILTER	2	P100-009531	GUARD, SPROCKET ASY	6			
A365-000050	CONNECTOR,CAP	2	P100-013370	CASE,FAN ASY	2			
A539-000460	COVER,MOTOR	2	P200-000390	PLUNGER SHAFT KIT	12			
A539-000481	COVER,MOTOR	2	P200-000490	SPRING WASHER KIT	12			
A539-000482	COVER,MOTOR	2	V203-000041	BOLT,5	6			
A556-001910	DRUM, CLUTCH	6	V203-002260	BOLT,5	6			
A556-001920	DRUM, CLUTCH	6	V203-002270	BOLT,5	6			
C022-000211	AUTO-OILER ASSEMBLY	2	V203-002280	BOLT,5	6			
C022-000211	AUTO-OILER ASSEMBLY	12	V265-000550	NUT,8	6			
C300-001220	GUARD, SPROCKET	6	V307-000620	WASHER,CIRCULAR 10	6			
C300-001221	GUARD, SPROCKET	6	V355-000840	COLLAR,8	6			
C301-000020	PIECE,SPROCKET GUARD	6	V355-000860	COLLAR,8	6			
C304-000000	SPIKE	16	V450-002250	SPRING,COMPRESSION	4			
C305-000511	PLATE,SPROCKET GUARD	6	V450-002400	SPRING,COMPRESSION	6			
C305-000521	PLATE,SPROCKET GUARD	6	V452-001650	SPRING,TORSION	2			
C305-000521	PLATE,SPROCKET GUARD	6	V452-001940	SPRING,TORSION	6			
C305-000521	PLATE,SPROCKET GUARD	8	V470-002400	PIPE	2			
C309-000110	TENSIONER,CHAIN	6	V471-003311	PIPE	2			
C310-000140	CATCHER, CHAIN	6	V490-001230	CLIP	2			
C310-000140	CATCHER, CHAIN	6	V583-000440	RING	6			
C320-000610	LEVER, BRAKE	6	V651-000011	GEAR,BEVEL	6			
C328-000361	BAND, BRAKE	6	V651-001060	GEAR,BEVEL	6			
C334-000340	CONNECTOR, BRAKE	6	V652-000290	GEAR,WORM	2			
C345-000730	COVER,BRAKE	6	V804-000160	BOLT, TORX 4	2			
C400-001740	HANDLE, FRONT	2	V804-000160	BOLT, TORX 4	6			
C490-000010	LOCKOUT	2	V804-000160	BOLT, TORX 4	8			
C490-000050	LOCKOUT	2	V805-000000	BOLT, TORX 5	2			
C490-000061	LOCKOUT	2	V805-000240	BOLT, TORX 5	16			
C626-000100	FIXTURE, HARNESS	2	V805-000250	BOLT, TORX 5	2			
C646-000160	RING, HARNESS	2	X100-000070	BAR,GUIDE 20	14			
C649-000420	HOOK	6	X101-000210	BAR,GUIDE 25	14			
E103-001660	CASE,FAN	2	X121-000003	BAR,GUIDE 25	14			
E103-001670	CASE,FAN	2	X200-000020	CHAIN,SAW	14			